



- 1 .875 SPHERE MOUNT  
.875 SM
  - 2 .875 SHANKLESS SPHERE MOUNT  
.875 SSM
  - 3 .875 SPHERE MOUNT - HARD COAT  
.875 SM - HC
  - 4 1.5 - .875 SMR ADAPTOR  
1.5 - .875 SMR AD
- .875 - .5 SMR ADAPTOR  
.875 - .5 SMR AD

SECTION H INDEX LASER TRACKER .875 SPHERE MOUNT



## .875 SM

Designed to hold a .875 Spherically Mounted Retro-Reflector on centerline of a hole and critical offset.

## .875 SM ORDERING INFORMATION

	FAMILY	"H" TO CENTERLINE OF SPHERE	"A" SHANK DIAMETER	MATERIAL (OPTIONS)			
.875 SM STANDARD BUILD	.875 SM	↓	↓	1144 steel or (ss)			
CUSTOMER PROVIDES INFO	.875 SM	■	■	■			
REFERENCE NOTES	_____						
	_____						

## .875 SPHERE MOUNT

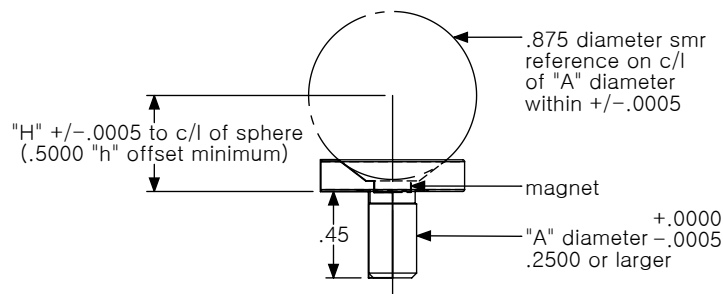
CAD on file

NOTE- DRAWING NOT TO SCALE

### NOTE

The "H" offset must be .500 minimum.

An "A" diameter smaller than a 6mm shank will be non-magnetic.



### .875 SM FEATURES

1144 STEEL, BLACK OXIDE FINISH (standard)

STAINLESS STEEL OPTION (for more corrosive environments)

## .875 SSM

Supports a spherical mounted Retro-Reflector for a critical height and centerline. The edge may be used to contact inside edges to give a value of .800 away.

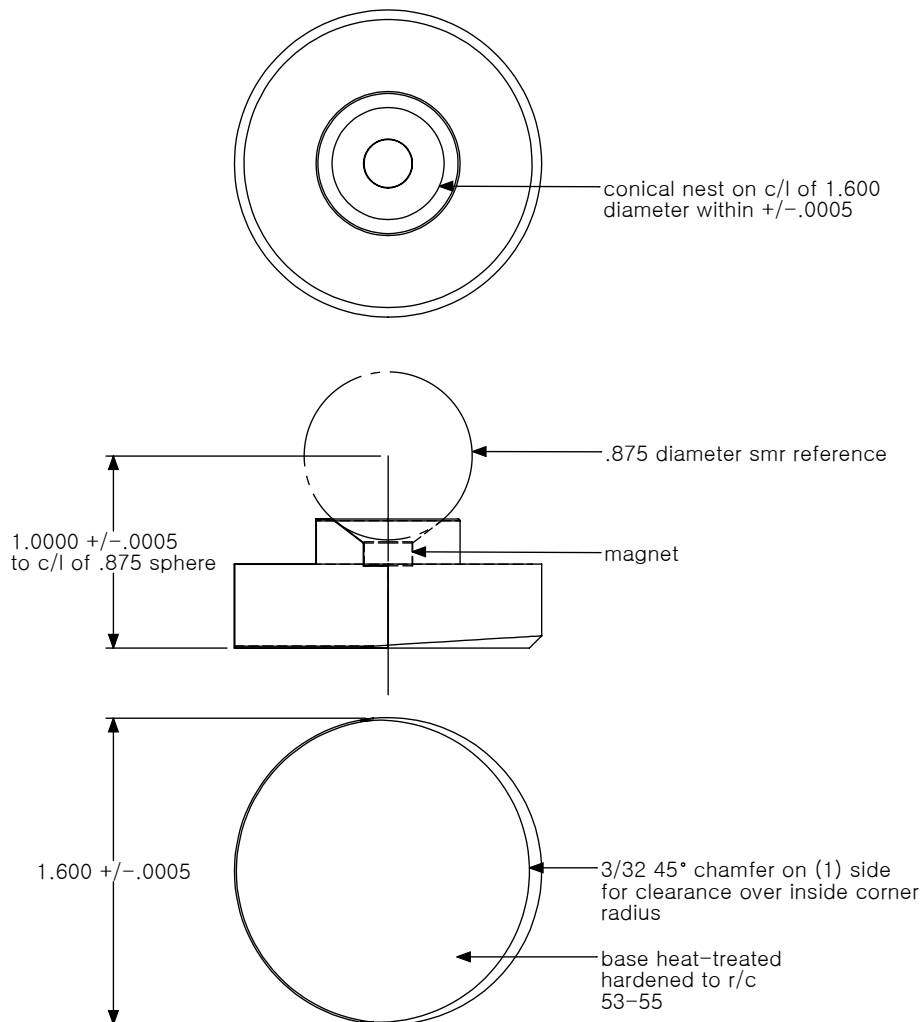
## .875 SSM ORDERING INFORMATION

	FAMILY	"H" TO CENTERLINE OF SPHERE	MATERIAL				
<b>.875 SSM STANDARD BUILD</b>	.875 SSM	1.000	1144 steel, black oxide finish				
CUSTOMER PROVIDES INFO	.875 SSM	▪	▪				
REFERENCE NOTES	_____						
	_____						

## .875 SHANKLESS SPHERE MOUNT

CAD on file

NOTE- DRAWING NOT TO SCALE



### .875 SSM FEATURES

1144 STEEL, BLACK OXIDE FINISH - Heat-treated and hardened to R/C 53 - 55 (standard)

## .875 SM - HC

Designed for mounting to a surface to securely hold a .8750 diameter, spherically mounted Retro-Reflector. The .875 SM-HC is used for reference only; not intended for critical offsets or concentricities.

## .875 SM - HC ORDERING INFORMATION

	FAMILY	"H" TO CENTERLINE OF SPHERE	FINISH				
.875 SM-HC STANDARD BUILD	.875 SM-HC	1.000 REFERENCE	aluminum				
CUSTOMER PROVIDES INFO	.875 SM-HC						
REFERENCE NOTES							

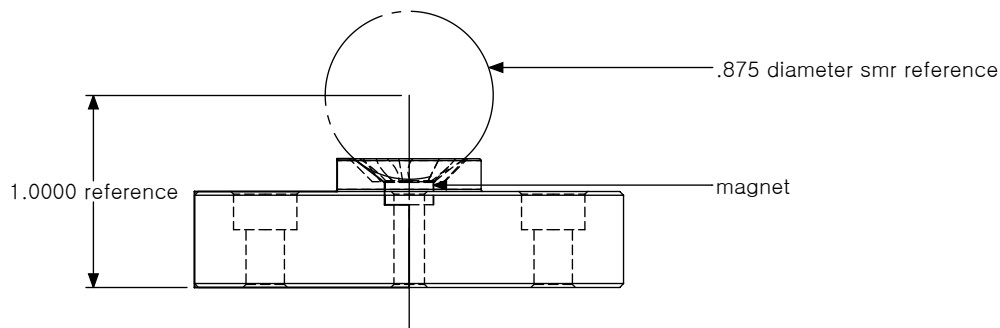
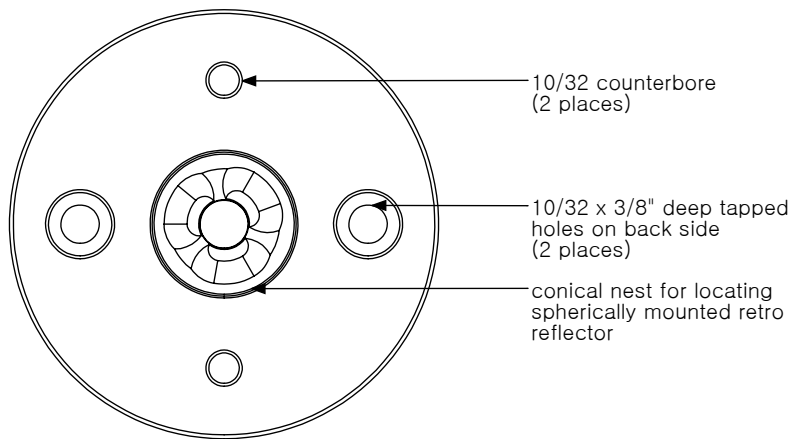
## .875 SPHERE MOUNT - HARD COAT

CAD on file

NOTE- DRAWING NOT TO SCALE



**.875 SM - HC**  
**FEATURES**  
 ALUMINUM BLACK HARD  
 ANONIZED COATING



### 1.5 - .875 SMR AD

Designed to adapt a 1.5 Sphere Mount Nest to .8750 Spherically Mounted Retro-Reflector.

### 1.5 - .875 SMR AD ORDERING INFORMATION

	FAMILY	MATERIAL					
1.5 - .875 SMR AD STANDARD BUILD	1.5 - .875 SMR AD	stainless steel (ss)					

CUSTOMER PROVIDES INFO 1.5 - .875 SMR AD ■

### .875 - .5 SMR AD

Designed to adapt a .8750 Sphere Mount Nest to .5 Spherically Mounted Retro-Reflector.

### .875 - .5 SMR AD ORDERING INFORMATION

	FAMILY	MATERIAL					
.875 - .5 SMR AD STANDARD BUILD	.875 - .5 SMR AD	stainless steel (ss)					

CUSTOMER PROVIDES INFO .875 - .5 SMR AD ■

REFERENCE NOTES

---

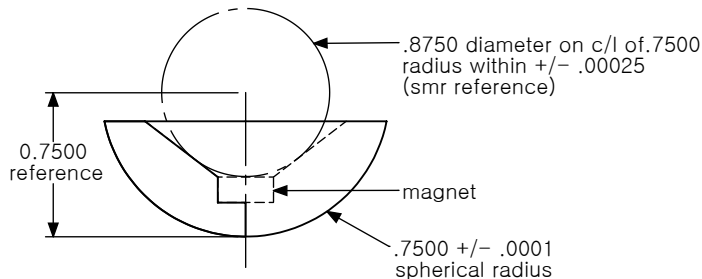


---

### 1.5 - .875 SMR AD

NOTE- DRAWING NOT TO SCALE

CAD on file



### 1.5 - .875 SMR AD FEATURES

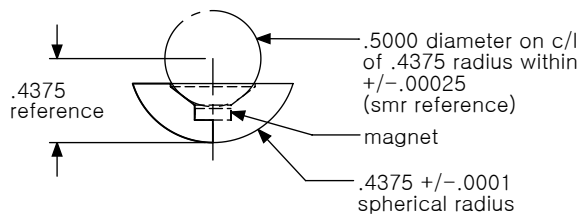
STAINLESS STEEL SHELL  
Heat-treated and hardened to R/C 53 - 55 (standard)

Stainless steel insert (unhardened)

### .875 - .5 SMR AD

NOTE- DRAWING NOT TO SCALE

CAD on file



### .875 - .5 SMR AD FEATURES

STAINLESS STEEL SHELL  
Heat-treated and hardened to R/C 53 - 55 (standard)

Stainless steel insert (unhardened)





 OPTICAL TARGETING SPECIALTIES

 **HUBBS**  
LASER TRACKER .875 SPHERE MOUNT

**H**  
—  
**END**